



WATER COOLERS

AquaGo 1006 A171.8VR-BF2S BCD

BARRIER FREE, VANDAL RESISTANT, WALL MOUNTED WATER COOLER WITH -BF2S SENSOR OPERATED BOTTLE FILLER

STANDARD FEATURES

Electric Water Cooler

- Child or Adult ADA Compliant (when properly installed)
- 304 Stainless Steel Basin and Chrome Plated Brass Button
- Polished Stainless Steel, Anti-Rotation, Non-Squirt Bubbler
- Vandal Resistant Screws
- Auto-Stop allows Cartridge and Strainer service without removing Cooler Deck to access Water Supply Stop
- Lead free

Bottle Filler

- ADA Compliant
- 100-Mesh Inlet Strainer
- 9volt DC 1.6A Transformer Power Pack plugs into std wall Socket
- Hands-Free Sensor Operation
- 1 GPM Laminar Flow

SUGGESTED SPECIFICATIONS

Electric Water Cooler

Model A171408S-VR-BF2S is a self-contained, Vandal Resistant Button pressurized Water Cooler that delivers a minimum of **8.0 GPH** (30.3 LPH) of water at 50°F (10°C) cooled from 80°F (26.7°C) inlet water and 90°F (32.2°C) ambient. Unit shall be activated by Chrome Plated Brass Pushbutton using less than 5 pounds of force. Lead-Free Stainless Steel Bubbler shall deliver a 0.3 GPM flow, have an integrally designed non-squirt feature and operate on a water pressure range of 20-105 PSIG. Basin shall be constructed from 304 Stainless Steel and have an Integral Drain. Cabinet shall be 304 Stainless Steel and the Louvers will have a Stainless Steel Protective Screen. Cooling system shall use R-134a refrigerant and be Capillary Tube regulated. An Adjustable Thermostat with an "off" position shall regulate the refrigeration system. Unit shall be listed by Underwriters Laboratories for both the US and Canada and is compliant to the Air Conditioning and Refrigeration Institute Standard 1010. Unit is certified to ANSI A117.1, Public Law 111-380 (NO-LEAD), CHSC 116875 and NSF/ANSI 61, Section 9. Fixture meets ADA, ADA Standing Person, and ADA Child requirements when mounted appropriately. Unit shall still deliver ambient water temperature to the bubbler in the absence of electrical power as long as there is a pressurized water supply. Requires 350kPa Pressure Limit Valve

Bottle Filler BF2S

BF2S is a 9 volt Sensor Operated Bottle Filler. Housing construction will be 18 gage Stainless Steel with a satin finish. Optional -BCD (Bottle Counter Display) indicates the quantity of 16 oz disposable Plastic Bottles saved from a landfill and also displays the Water Filter status. Water Filter has 11,500Ltr capacity, NSF/ANSI 42 & 53 certification and reduces lead content in the drinking water by 99%. Bottle Filler shall provide approximately 1 GPM flow rate with a Laminar Flow Spout to minimize splashing.



AquaGo 1006 Model A171408S-VR-BF2S-BCD Shown
PATENT# 10,100,933



"RATED FOR INDOOR AND OUTDOOR USE"

Model Number	GPH*	Rated Watts	Full Load Amps	Approx. Shipping Weight
AquaGo 1006 Murdock A171408S-VR-BF2S BCD	8.0	335	4.4	100 lbs.

* GPH of 50°F water at 90°F ambient room temperature and 80°F inlet water temperature
Compressor motor operates on 220-240 Volt / 50 Hz single phase 15-20Amp

MODEL:

(Must Specify)

0 A171408S-VR-BF2S Satin Stainless Finish

WATER COOLER OPTIONS

(additional costs may be incurred)

- CSC2 Concealed Support Carrier
- LOGO Customer Specified Logo / Graphics
- WF 11,500 Ltr capacity WATER FILTER, NSF 42+53, 1 micron **INCLUDED STANDARD (LK51300C)**
- 220V 220 -240volt / 50 Hz compressor **INCLUDED STANDARD**

BOTTLE FILLER OPTIONS

(additional costs may be incurred)

- BAT Battery Operated
- BCD Bottle Counter Display



Complies with the following standards:



Member of U.S. Green Building Council



Recyclable Product



Water Conserving Product

WARNING: Cancer and Reproductive Harm - www.P65Warnings.ca.gov

MURDOCK MFG. • 15125 Proctor Avenue • City of Industry, CA 91746 USA
Order from: AQUAGO CHEMCEK GROUP AU PH 1800-218-662 www.aquago.com.au

Member of MORRIS GROUP INTERNATIONAL

AquaGo 1006 Murdock A171.8 VR-BF2S BCD WATERMARK COMPLIANT WM-022317

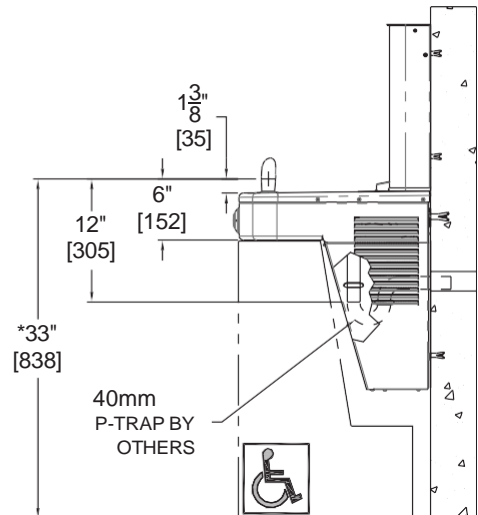
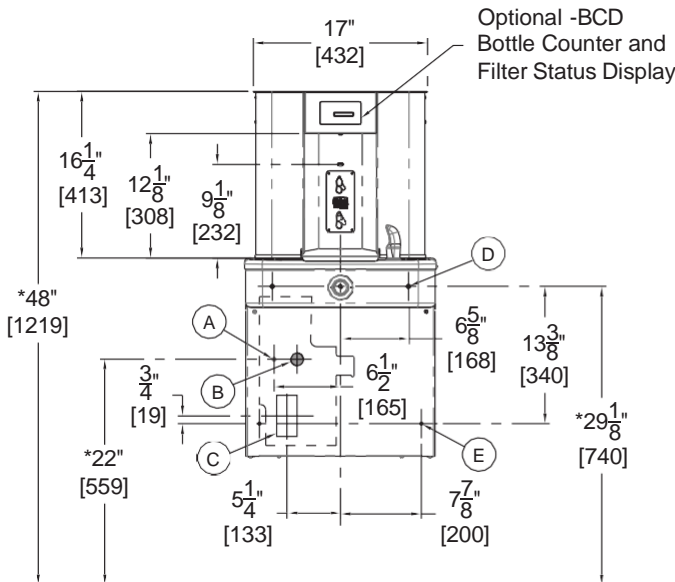
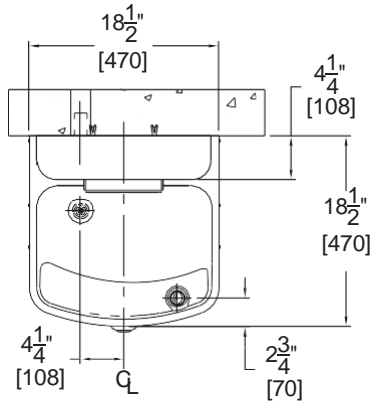
Revised: 26/4/23



WATER COOLERS

AquaGo 1006 A171.8VR-BF2S BCD

BARRIER FREE, VANDAL RESISTANT, WALL MOUNTED WATER COOLER WITH -BF2S SENSOR OPERATED BOTTLE FILLER



General Notes:

1. All dimensions are in inches [MM]
2. Allow 4 inches [102MM] minimum clearance per side for ventilation
- *3. Dimensions shown are for USA ADA adult height. Adjust vertical dimensions as necessary to comply with Federal, State & Local Codes in NZ and AU
4. Stop Valve, P-Trap & Electrical Outlet not supplied
5. Important: Coolers must be attached to wall with appropriate Anchor Screws

- A. 15mm BSP. Supply Inlet
- B. Waste Outlet for 40mm P-Trap, by others
- C. Electrical-Dble Vertical Socket Needed
- D. Ø3/8" Hanger Bracket Punching, 3 places for Anchoring Hardware by others
- E. Ø1/4" Punching, 2 places for Anchoring Hardware, by others

Murdock Mfg.™ warrants that its products are free from defects in material or workmanship under normal use and service for a period of one year from date of shipment. Murdock's liability under this warranty shall be discharged solely by replacement or repair of defective material, provided Murdock™ is notified in writing within one year from date of shipment, F.O.B. Industry, California.

SELECTION SUMMARY & APPROVAL FOR MANUFACTURING

Model Number & Options _____ Quantity _____

Company _____

Contact _____ Title _____

Signature (Approval for Manufacturing) _____ Date _____

All dimensions are subject to manufactures tolerance of plus or minus 1/2" nominal and subject to change without notice. Murdock assumes no responsibility for use of void or superseded data. Dimensions may change with the addition of optional accessories. Murdock Mfg.™, Member of Morris Group International™. Please visit www.murdockmfg.com for most current specifications.

MURDOCK MFG. • 15125 Proctor Avenue • City of Industry, CA 91746 USA
 Order from: AQUAGO CHEMCEK GROUP AU PH 1800-218-662 www.aquago.com.au

